

GRÜEZI!

Thank you for purchasing our **Swiss-made product**, crafted with skilled craftsmanship by our Schaffner team.

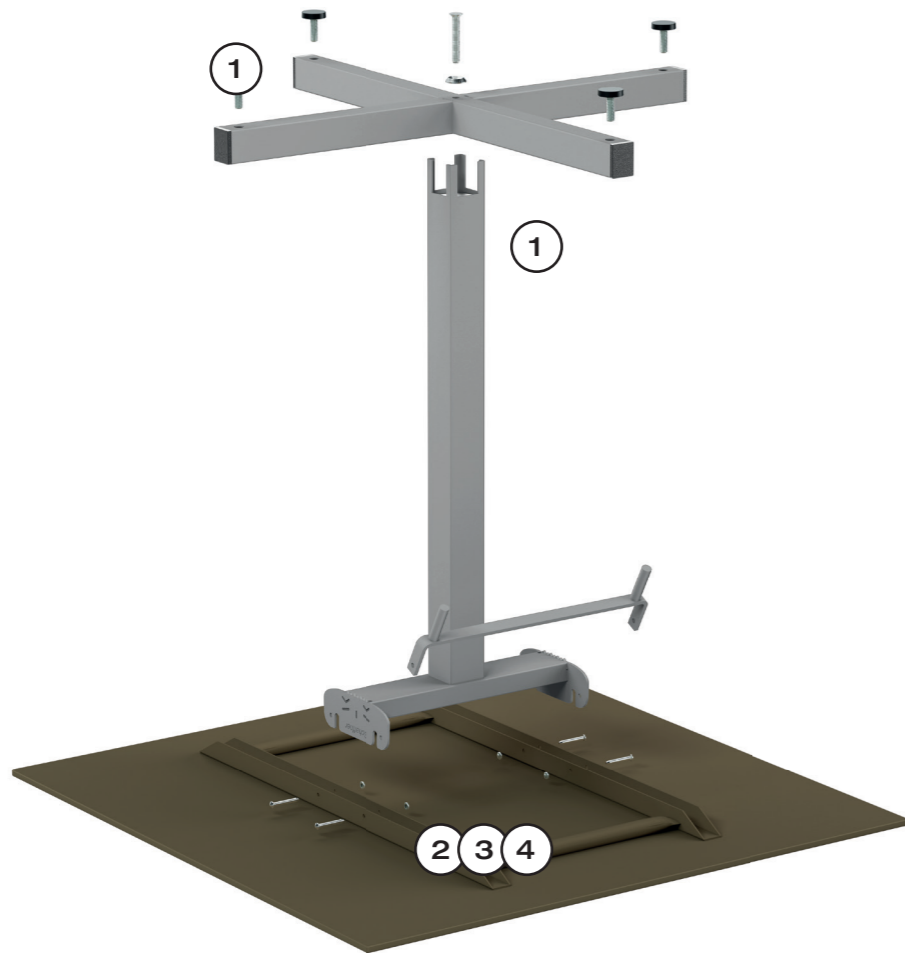
LUZERN

MANUFACTURED IN SWITZERLAND.

- 10084 Luzern Glasfaser-Tisch ø80 klappbar
- 10086 Luzern Glasfaser-Tisch ø90 klappbar
- 10088 Luzern Glasfaser-Tisch ø100 klappbar

- 14084 Luzern Glasfaser-Tisch 80×80 klappbar





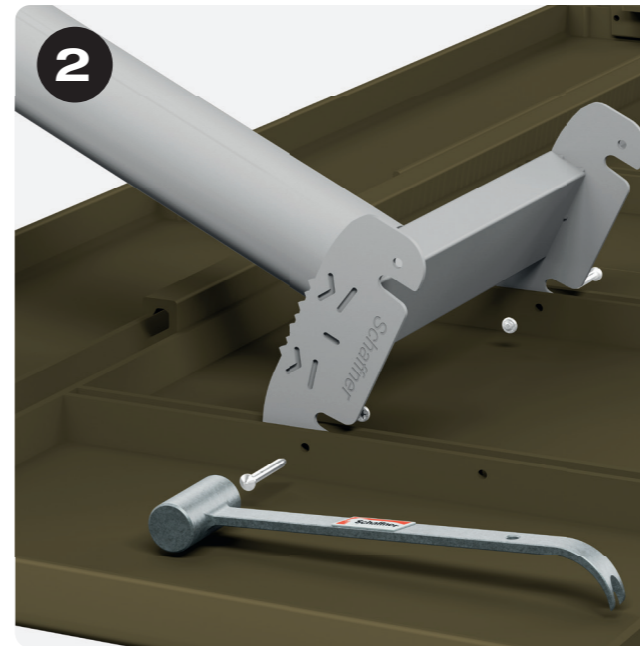
ALL PARTS SUPPLIED

- | | | |
|----------------------|--------------------------|----------------------------|
| 1 x table top | 1 x screw | 4 x floor levelling screws |
| 1 x column | 1 x washer | |
| 1 x star-shaped foot | 4 x notched nails | |
| 1 x clamping bracket | 4 x notched nail holders | |

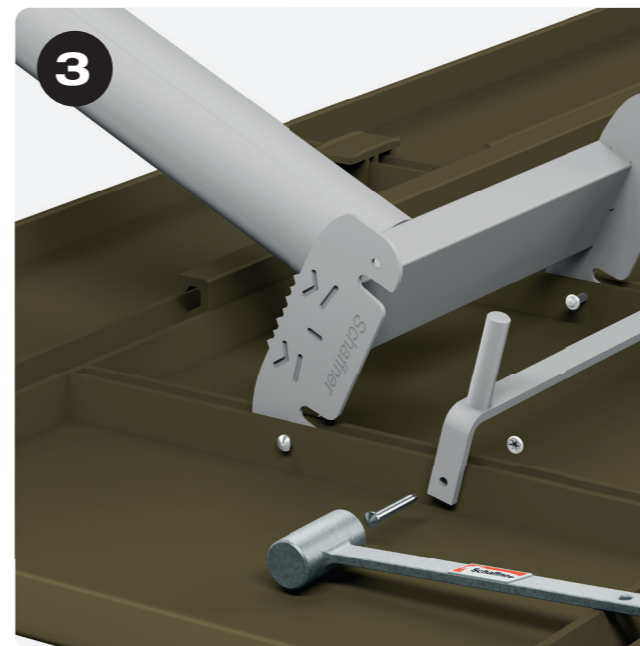


1 Screw the star-shaped base to the column and affix 4 floor levelling screws to the feet.

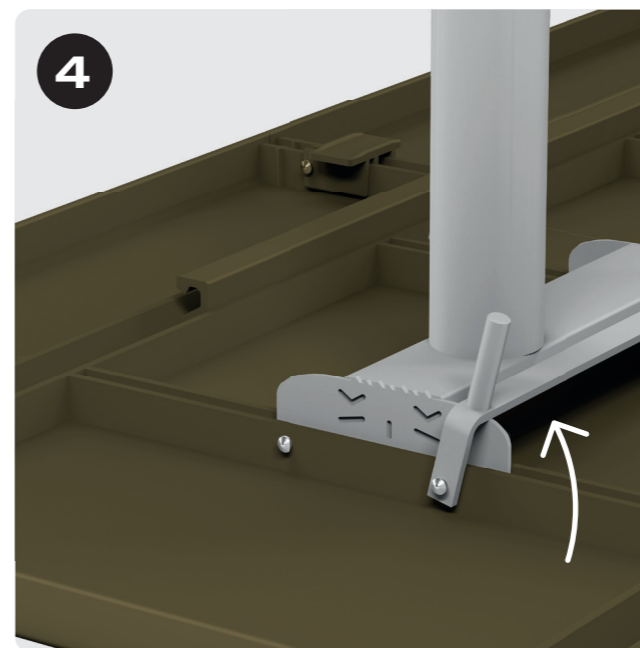
VIDEO



2 Place the pedestal on the table top so that the pedestal supports are between the struts. Then, secure in place on both sides with a notched nail and a notched nail holder.



3 Place the clamping bracket between the struts and secure on both sides with a notched nail and a notched nail holder. Depending on the model, the clamping bracket may already be fitted.



4 Secure the table top with the clamping bracket.

VIDEO



swiss made 

We've been making our garden furniture at our factory in Thurgau for over 70 years. With decades of experience, skilful craftsmanship and attention to detail, we manufacture durable garden furniture.

SAFETY

Please read these instructions before installing and using the product.

- Place a piece of cardboard underneath to protect the table top.
- Make sure that nobody – especially children – puts their fingers into moving or closing mechanisms. This product is not a toy.
- Only install and use it on a firm, level surface
- If there are signs of damage (e.g. loose screws, bent parts), we recommend contacting the retailer.
- Use original Schaffner spare parts to ensure proper functioning.

WARRANTY

Our products are constantly being improved and refined.
We reserve the right to make changes to their design and technology.
If you would like to make a warranty claim, please contact your retailer.

CARE INSTRUCTIONS



ORIGINAL SPARE PARTS



REPAIR SERVICE

