

GRÜEZI!

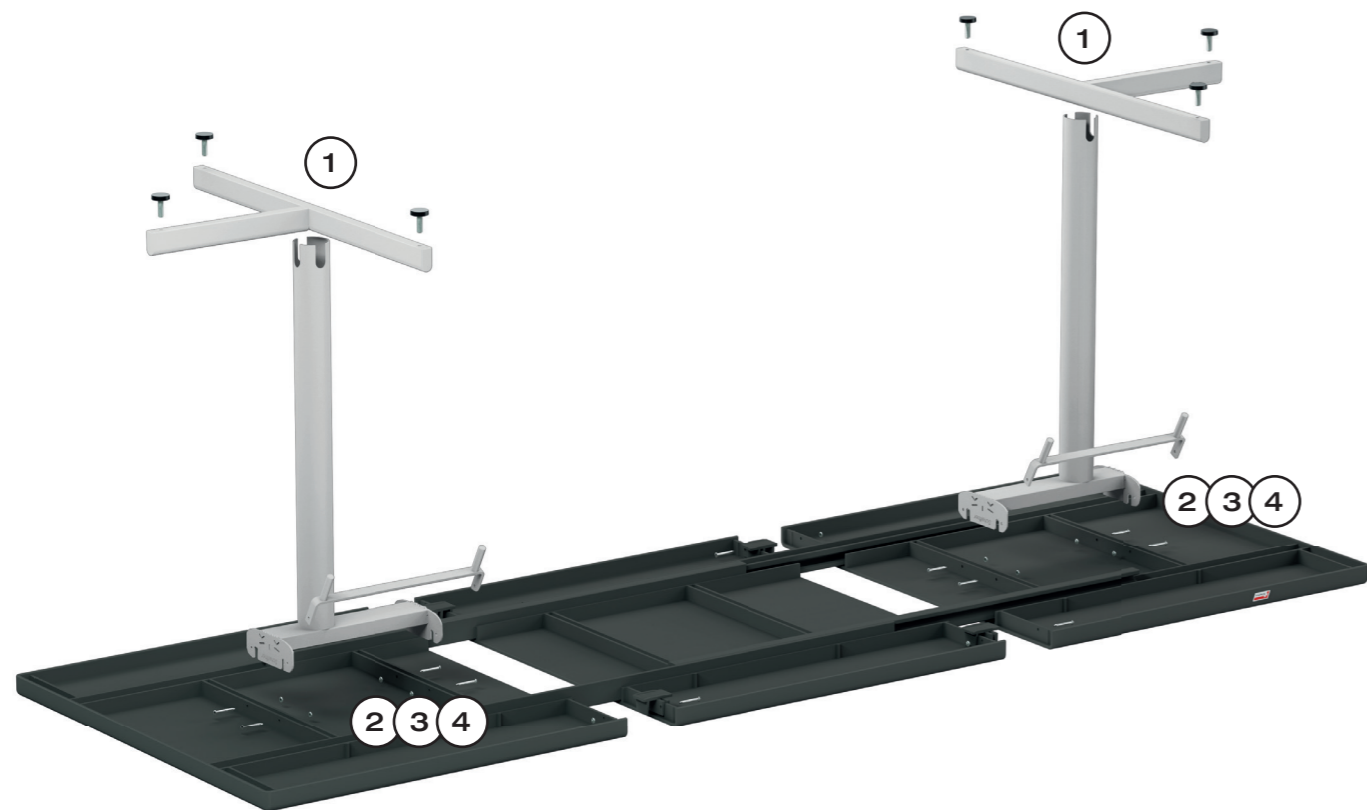
Thank you for purchasing our **Swiss-made product**, crafted with skilled craftsmanship by our Schaffner team.

BODENSEE

MANUFACTURED IN SWITZERLAND.

- 15121 Bodensee Glasfaser-Tisch 140/210×80 klappbar
- 12026 Glasfaser-Tisch 160/218×95 klappbar
- 12027 Bodensee Glasfaser-Tisch 160/218×95 oval klappbar
- 14120 Bodensee Glasfaser-Tisch 176×95 klappbar
- 15120 Bodensee Glasfaser-Tisch 176/234×95 eckig klappbar





ALL PARTS SUPPLIED

- | | |
|-----------------------|----------------------------|
| 1 × table top | 2 × screws |
| 2 × columns | 8 × notched nails |
| 2 × T-feet | 8 × notched nail holders |
| 2 × clamping brackets | 6 × floor levelling screws |

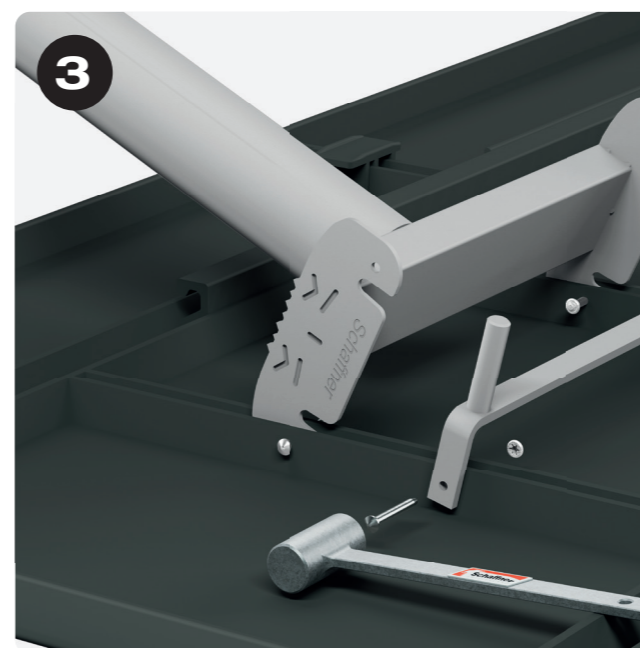


Attach each of the two T-feet to a column, using one screw each, and affix three floor levelling screws.

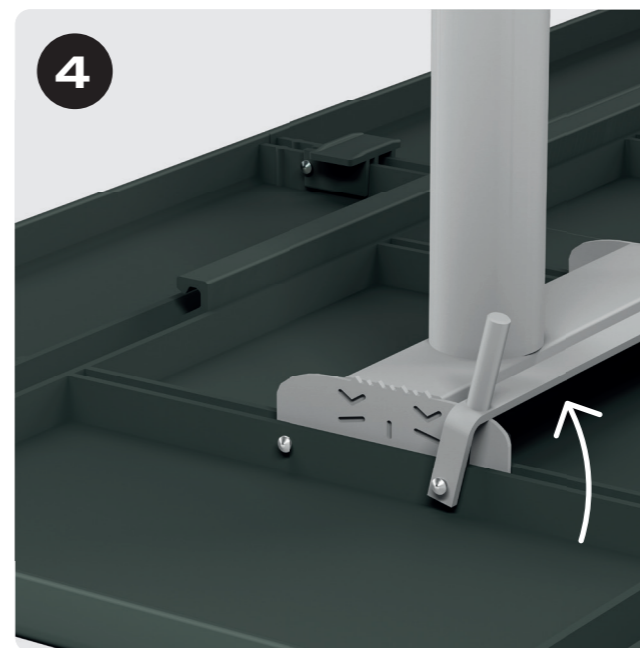
VIDEO



Place both pedestals on the table top so that the pedestal supports are between the struts. Then attach the two pedestals on each side with a notched nail and a notched nail holder apiece.



Place the two clamping brackets outside the struts and secure on each side with a notched nail and a notched nail holder.



Secure the table top with both clamping brackets.

VIDEO



swiss made 

We've been making our garden furniture at our factory in Thurgau for over 70 years. With decades of experience, skilful craftsmanship and attention to detail, we manufacture durable garden furniture.

SAFETY

Please read these instructions before installing and using the product.

- Place a piece of cardboard underneath to protect the table top.
- Make sure that nobody – especially children – puts their fingers into moving or closing mechanisms. This product is not a toy.
- Only install and use it on a firm, level surface
- If there are signs of damage (e.g. loose screws, bent parts), we recommend contacting the retailer.
- Use original Schaffner spare parts to ensure proper functioning.

WARRANTY

Our products are constantly being improved and refined.
We reserve the right to make changes to their design and technology.
If you would like to make a warranty claim, please contact your retailer.

CARE INSTRUCTIONS



ORIGINAL SPARE PARTS



REPAIR SERVICE

