

GRÜEZI!

Thank you for purchasing our **Swiss-made product**, crafted with skilled craftsmanship by our Schaffner team.

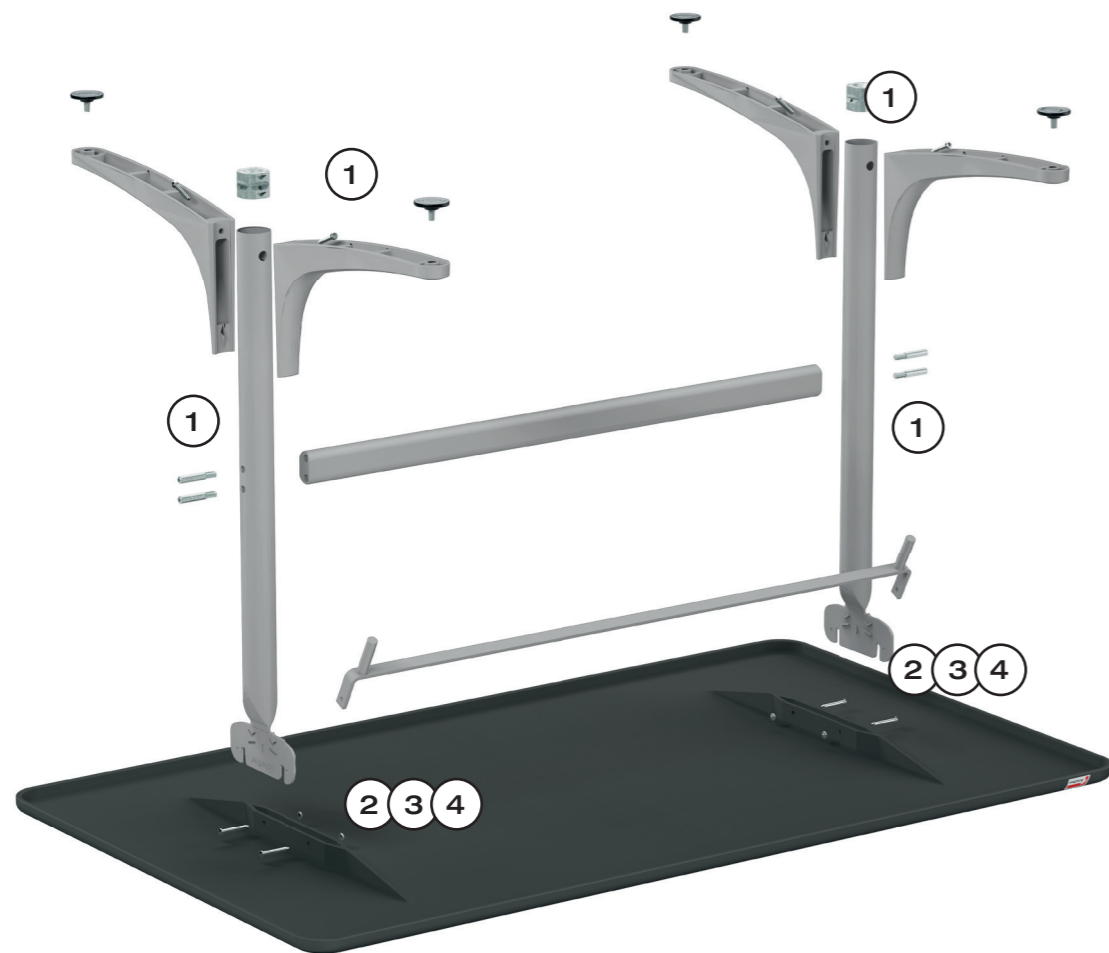
SCHAFFHAUSEN

MANUFACTURED IN SWITZERLAND.

14126 Schaffhausen Glasfaser-Tisch 120×70 klappbar

11003 Schaffhausen Glasfaser-Tisch 160×95 oval klappbar





ALL PARTS SUPPLIED

- | | | |
|----------------------|----------------------------|---------------|
| 1 × table top | 4 × screws | 1 × Allen key |
| 2 × columns | 2 × screw sleeves | |
| 1 × connecting strut | 4 × notched nails | |
| 1 × clamping bracket | 4 × notched nail holders | |
| 4 × feet | 4 × floor levelling screws | |



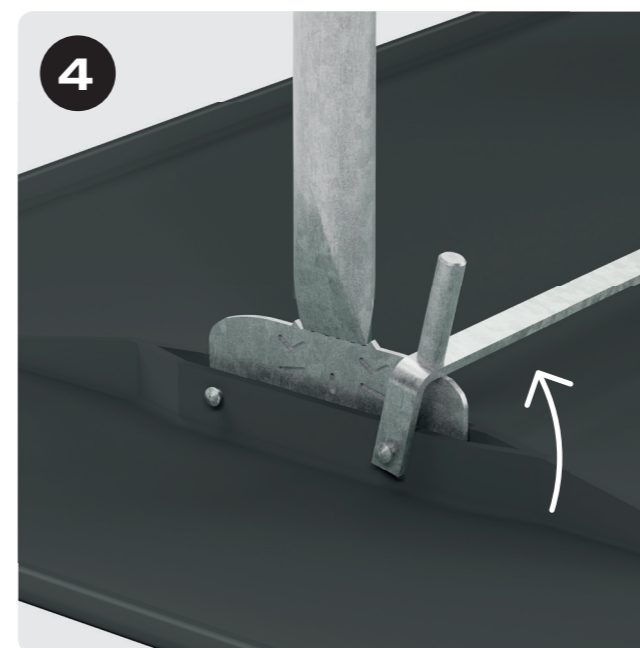
Screw both columns to the connecting strut. Attach two feet to each column, using one screw per foot, and affix two floor levelling screws to each.



Place the pedestal on the table top so that the pedestal supports are between the struts. Then, fix in place on both sides with a notched nail and a notched nail holder.



Place the clamping bracket outside the struts and secure on both sides with a notched nail and a notched nail holder.



Secure the table top with the clamping bracket.



swiss made 

We've been making our garden furniture at our factory in Thurgau for over 70 years. With decades of experience, skilful craftsmanship and attention to detail, we manufacture durable garden furniture.

SAFETY

Please read these instructions before installing and using the product.

- Place a piece of cardboard underneath to protect the table top.
- Make sure that nobody – especially children – puts their fingers into moving or closing mechanisms. This product is not a toy.
- Only install and use it on a firm, level surface
- If there are signs of damage (e.g. loose screws, bent parts), we recommend contacting the retailer.
- Use original Schaffner spare parts to ensure proper functioning.

WARRANTY

Our products are constantly being improved and refined.

We reserve the right to make changes to their design and technology.

If you would like to make a warranty claim, please contact your retailer.

CARE INSTRUCTIONS



ORIGINAL SPARE PARTS



REPAIR SERVICE

