

GRÜEZI!

Thank you for purchasing our **Swiss-made product**, crafted with skilled craftsmanship by our Schaffner team.

RIGI

MANUFACTURED IN SWITZERLAND.

14102 Rigi Metall-Tisch 180×80 klappbar

14110 Rigi Metall-Tisch 180×90 klappbar

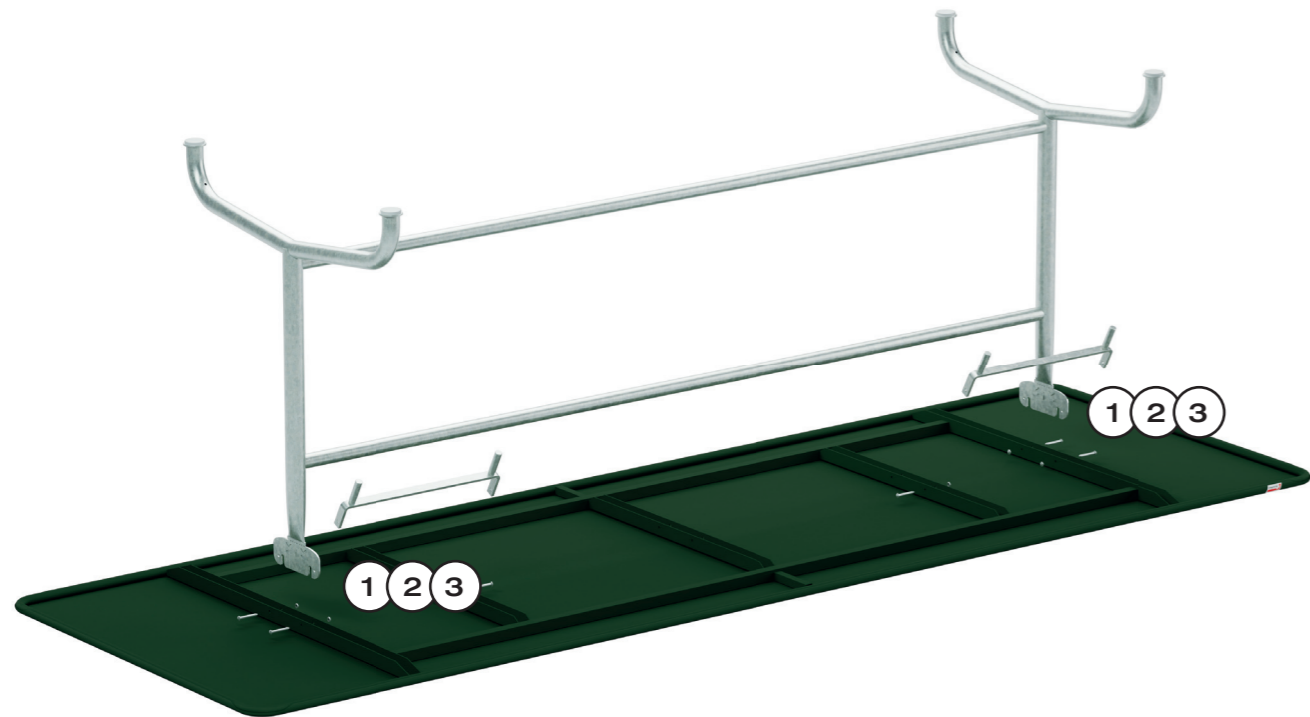
14068 Rigi Metall-Tisch 240×80 klappbar

14115 Rigi Metall-Tisch 240×90 klappbar





ASSEMBLY VIDEO



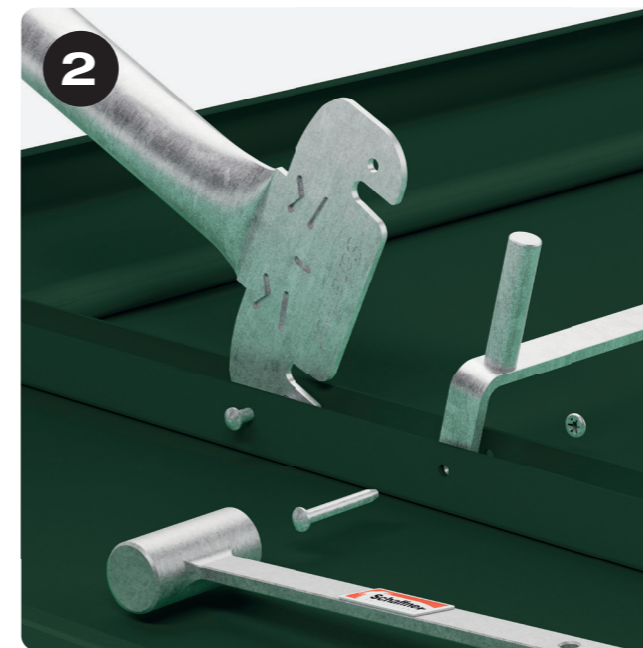
ALL PARTS SUPPLIED

1 × table top
 1 × base frame
 2 × clamping brackets

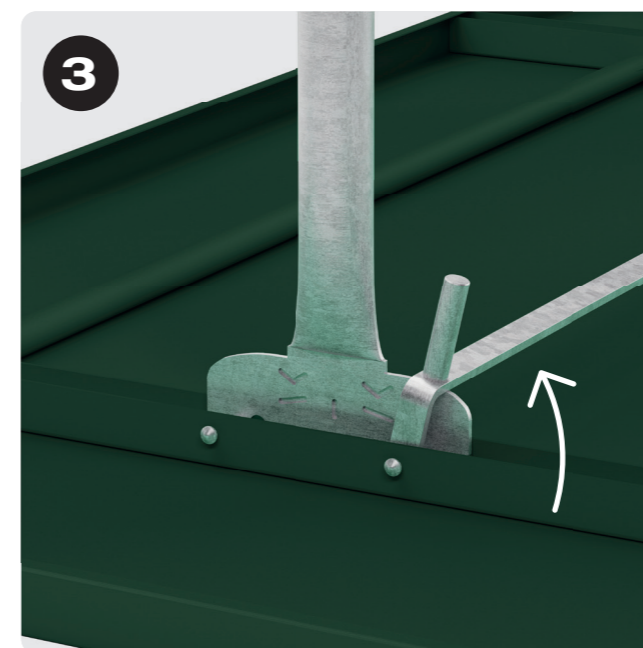
6 × notched nails
 6 × notched nail holders



Place the base frame on the table top so that the pedestal supports are between the struts. Then, secure in place on both sides with a notched nail and a notched nail holder.



Place the two clamping brackets between the struts and secure on both sides with a notched nail and a notched nail holder.



Secure the table top with both clamping brackets.

swiss made 

We've been making our garden furniture at our factory in Thurgau for over 70 years. With decades of experience, skilful craftsmanship and attention to detail, we manufacture durable garden furniture.

SAFETY

Please read these instructions before installing and using the product.

- Place a piece of cardboard underneath to protect the table top.
- Make sure that nobody – especially children – puts their fingers into moving or closing mechanisms. This product is not a toy.
- Only install and use it on a firm, level surface
- If there are signs of damage (e.g. loose screws, bent parts), we recommend contacting the retailer.
- Use original Schaffner spare parts to ensure proper functioning.

WARRANTY

Our products are constantly being improved and refined.

We reserve the right to make changes to their design and technology.

If you would like to make a warranty claim, please contact your retailer.

CARE INSTRUCTIONS



ORIGINAL SPARE PARTS



REPAIR SERVICE

