

**GRÜEZI!**

Thank you for purchasing our **Swiss-made product**, crafted with skilled craftsmanship by our Schaffner team.

# LUZERN

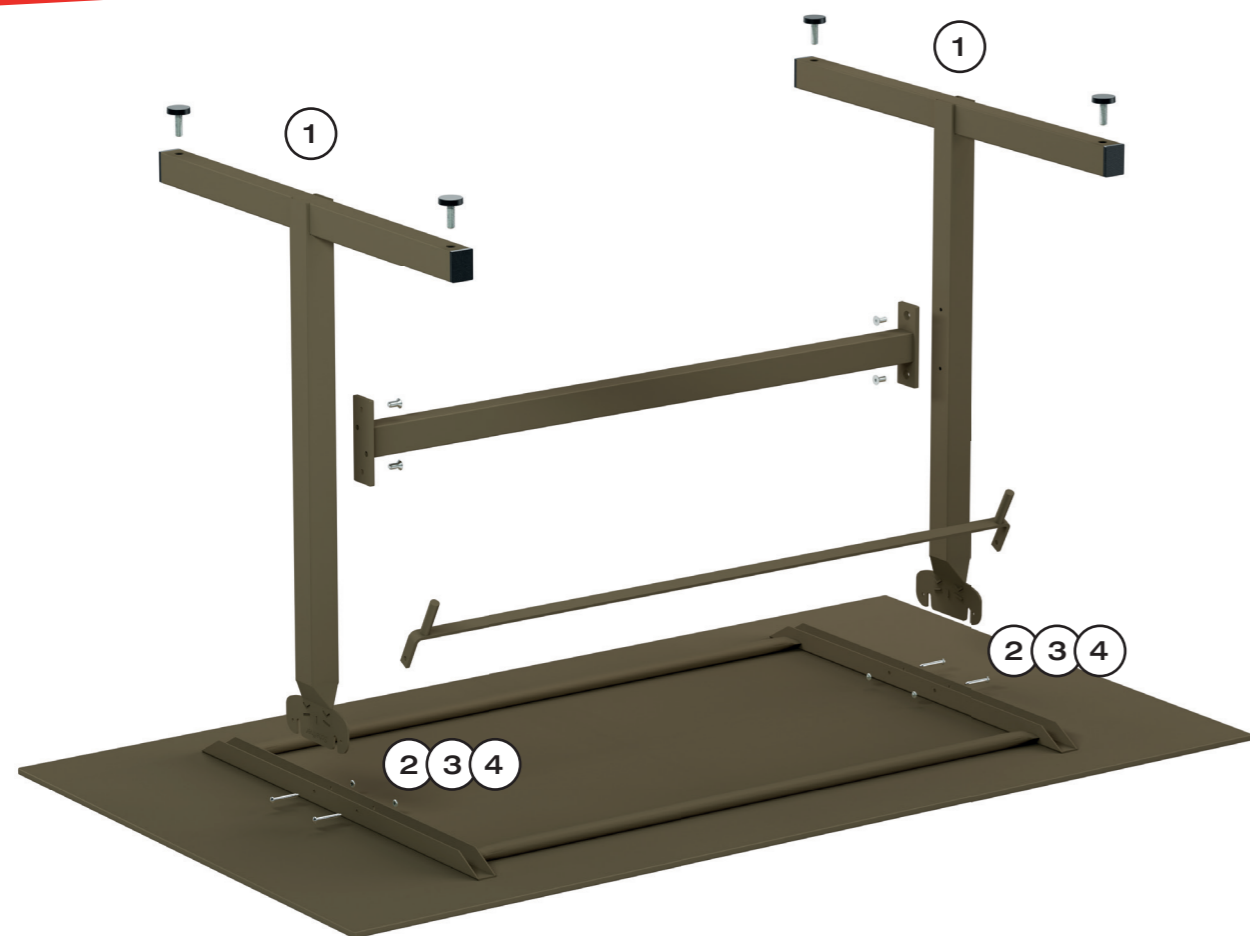
MANUFACTURED IN SWITZERLAND.

- 14087 Luzern Glasfaser-Tisch 120×80 klappbar
- 14088 Luzern Glasfaser-Tisch 140×80 klappbar
- 14089 Luzern Glasfaser-Tisch 160×90 klappbar





ASSEMBLY VIDEO



ALL PARTS SUPPLIED

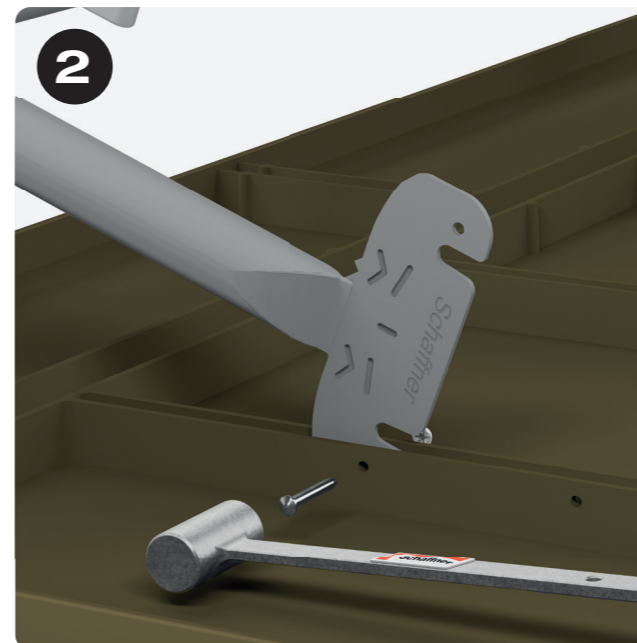
- 1 x table top
- 2 x feet
- 1 x connecting strut
- 1 x clamping bracket

- 4 x screws
- 4 x notched nails
- 4 x notched nail holders
- 4 x floor levelling screws

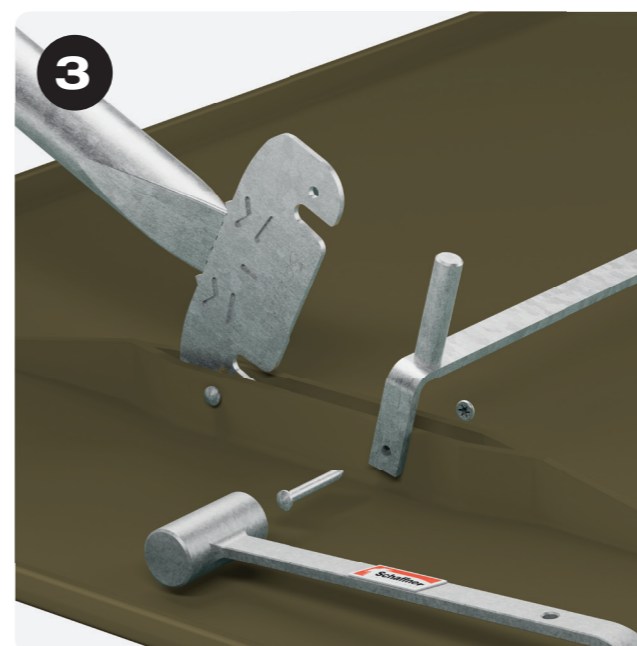
- 1 x Allen key



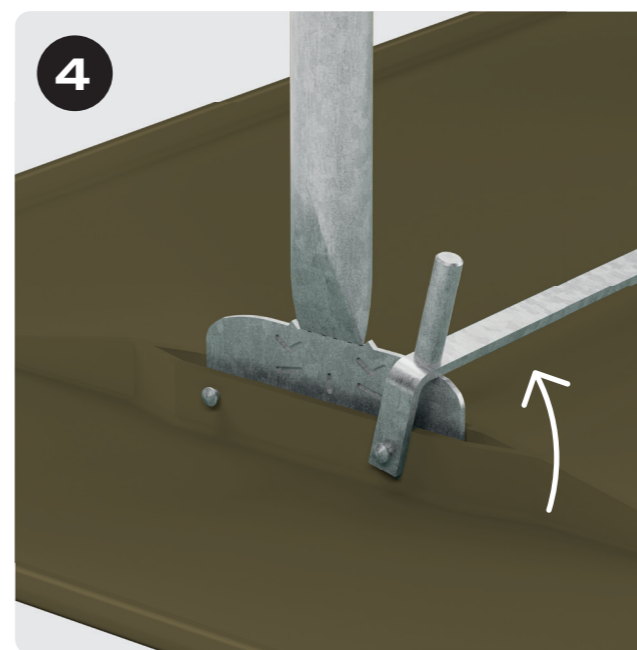
1 Screw both feet to the connecting strut and affix four floor levelling screws to the feet.



2 Place the pedestal on the table top so that the pedestal supports are between the struts. Then, secure in place on both sides with a notched nail and a notched nail holder.



3 Place the clamping bracket outside the struts and secure on both sides with a notched nail and a notched nail holder.



4 Secure the table top with the clamping bracket.

**swiss made** 

We've been making our garden furniture at our factory in Thurgau for over 70 years. With decades of experience, skilful craftsmanship and attention to detail, we manufacture durable garden furniture.

## SAFETY

Please read these instructions before installing and using the product.

- Place a piece of cardboard underneath to protect the table top.
- Make sure that nobody – especially children – puts their fingers into moving or closing mechanisms. This product is not a toy.
- Only install and use it on a firm, level surface
- If there are signs of damage (e.g. loose screws, bent parts), we recommend contacting the retailer.
- Use original Schaffner spare parts to ensure proper functioning.

## WARRANTY

Our products are constantly being improved and refined.

We reserve the right to make changes to their design and technology.

If you would like to make a warranty claim, please contact your retailer.

### CARE INSTRUCTIONS



### ORIGINAL SPARE PARTS



### REPAIR SERVICE

