

GRÜEZI!

Thank you for purchasing our **Swiss-made product**, crafted with skilled craftsmanship by our Schaffner team.

BERNARDINO

MANUFACTURED IN SWITZERLAND.

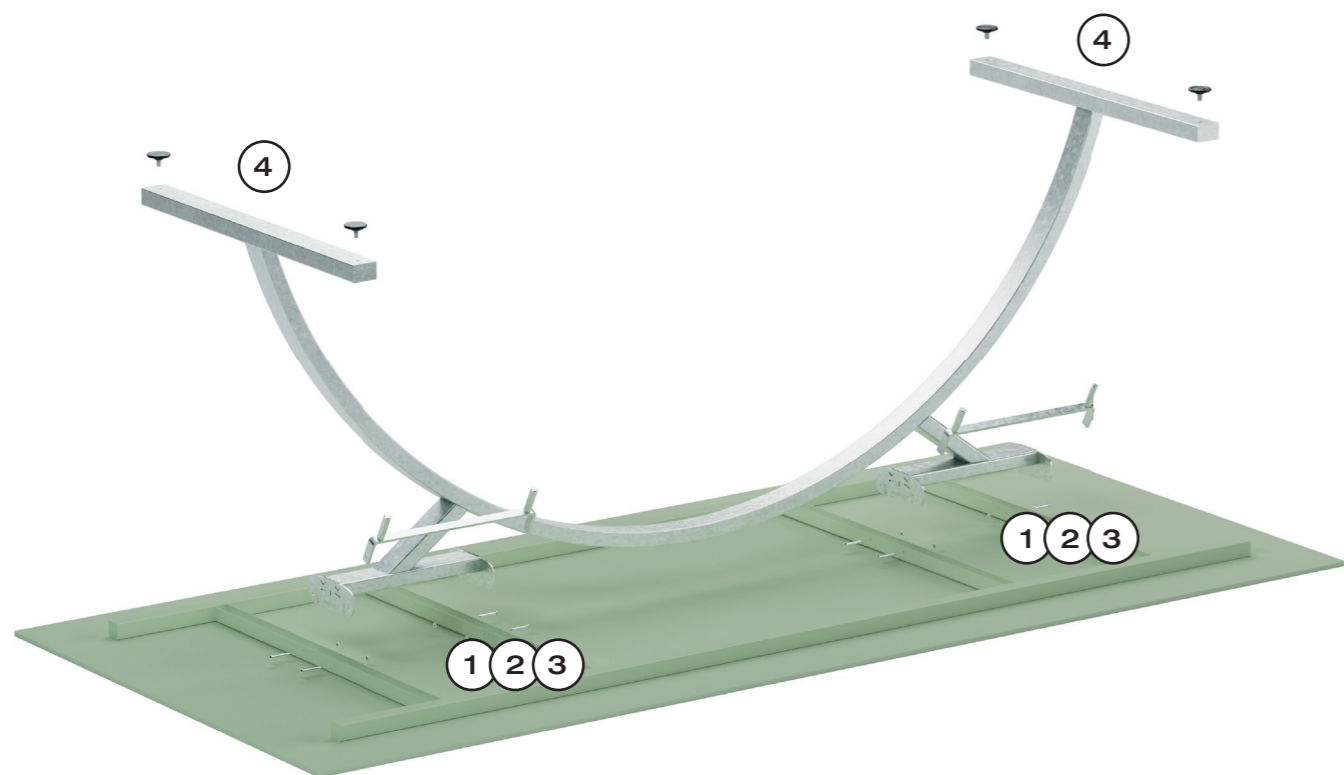
14037 Bernardino Glasfaser-Tisch 220×100 klappbar





ASSEMBLY VIDEO

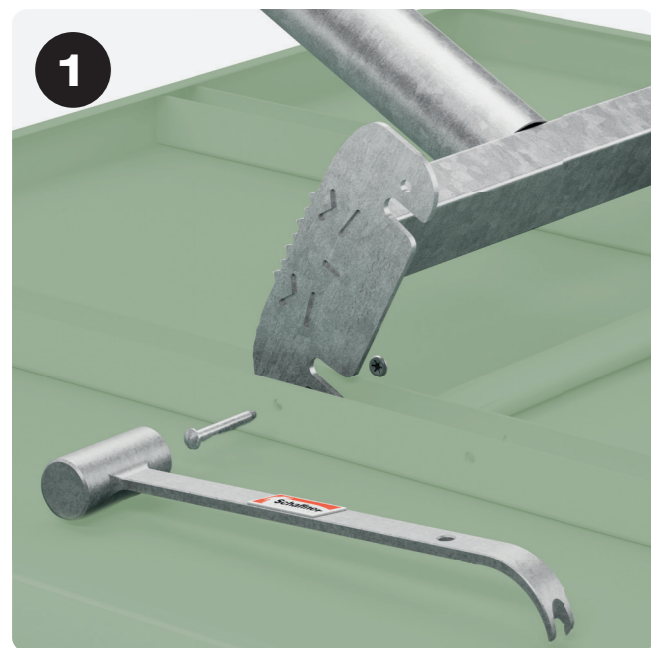
IT



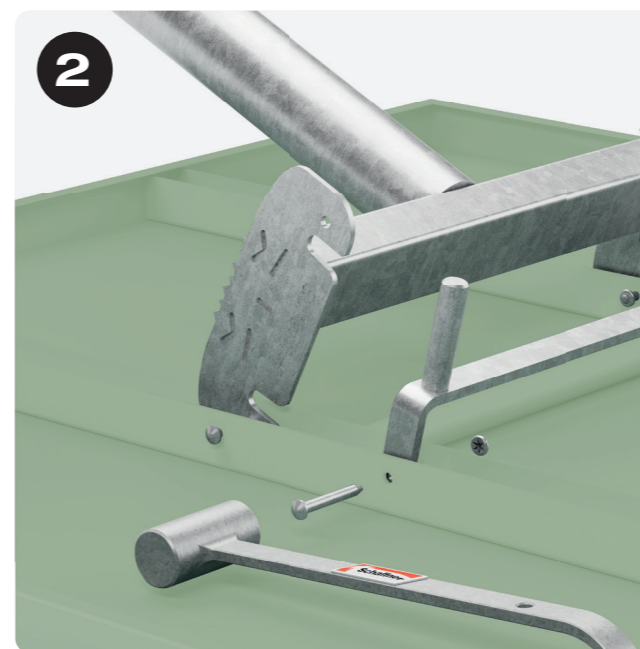
ALL PARTS SUPPLIED

1 × table top
1 × base frame
2 × clamping bracket

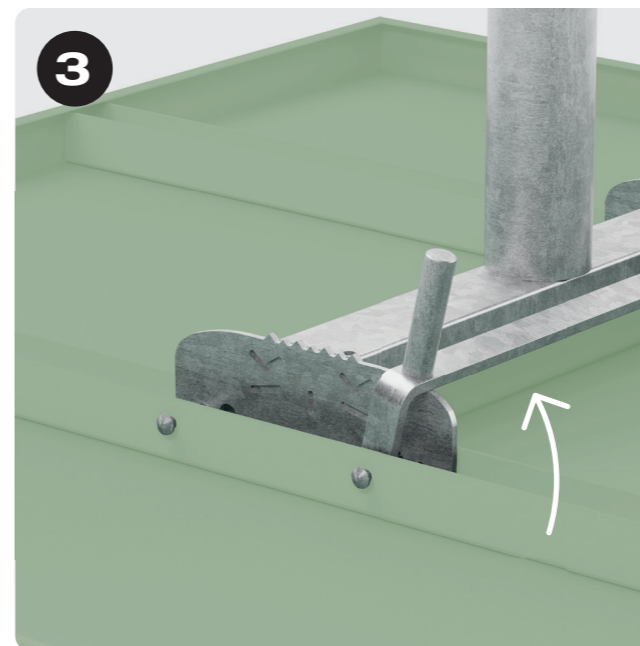
8 × notched nails
8 × notched nail holders
4 × floor levelling screws



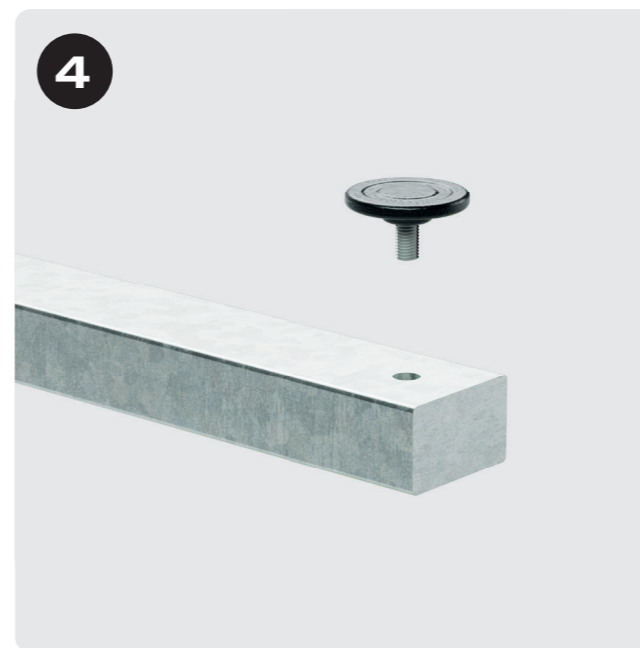
Place the base frame on the table top so that the pedestal supports are between the struts. Then, fix in place on both sides with a notched nail and a notched nail holder.



Place the two clamping brackets between the struts on both sides and secure them on both sides with a notched nail and a notched nail holder.



Secure the table top with the clamping bracket.



Screw the floor levelling screws to the base frame.

swiss made 

We've been making our garden furniture at our factory in Thurgau for over 70 years. With decades of experience, skilful craftsmanship and attention to detail, we manufacture durable garden furniture.

SAFETY

Please read these instructions before installing and using the product.

- Place a piece of cardboard underneath to protect the table top.
- Make sure that nobody – especially children – puts their fingers into moving or closing mechanisms. This product is not a toy.
- Only install and use it on a firm, level surface
- If there are signs of damage (e.g. loose screws, bent parts), we recommend contacting the retailer.
- Use original Schaffner spare parts to ensure proper functioning.

WARRANTY

Our products are constantly being improved and refined.
We reserve the right to make changes to their design and technology.
If you would like to make a warranty claim, please contact your retailer.

CARE INSTRUCTIONS



ORIGINAL SPARE PARTS



REPAIR SERVICE

